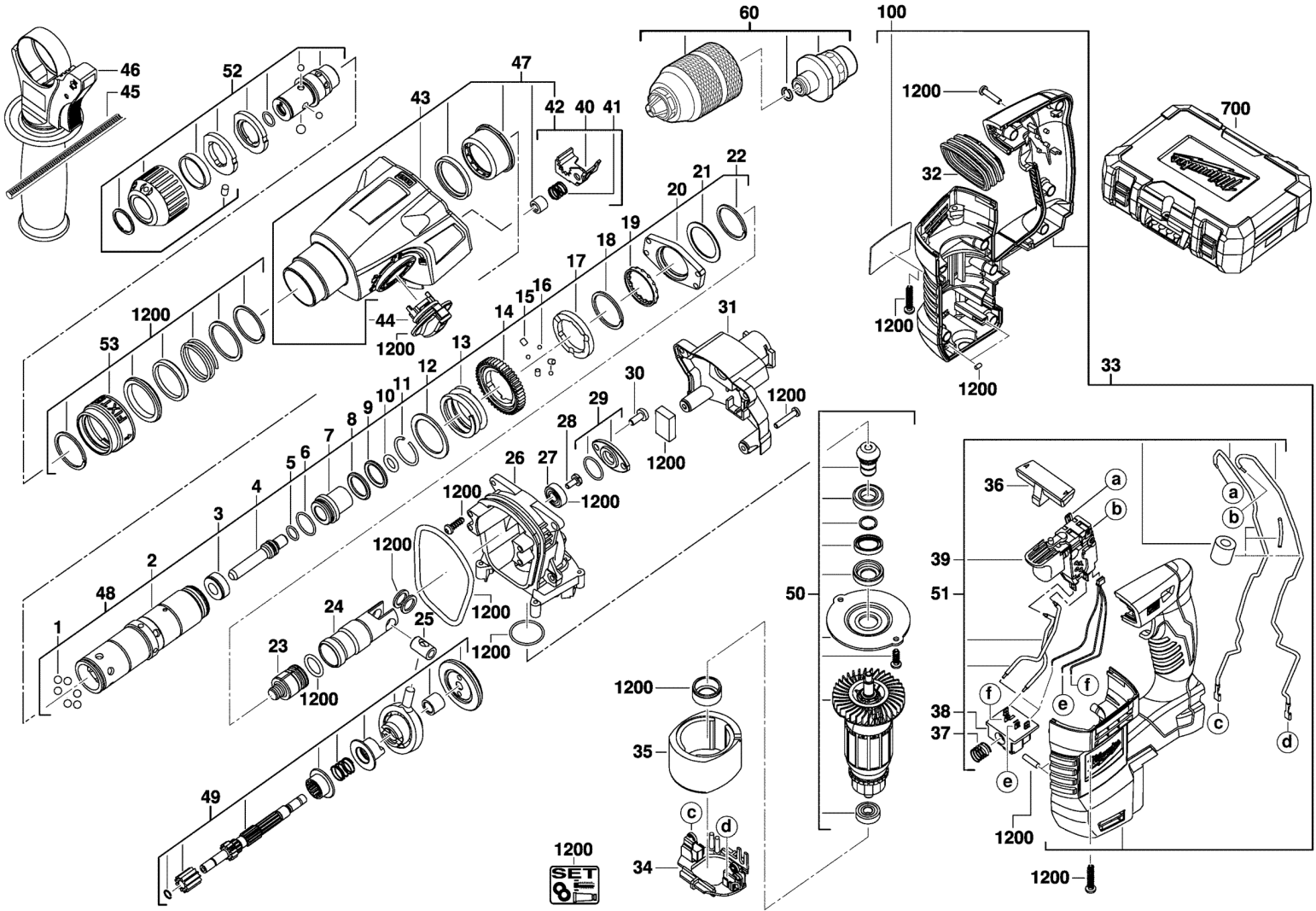


BTY. ROTARY HAMMER

4933408260 - HD18HX - 4000428696



| Position | Quantity | Description | Part number | EAN |
|----------|----------|--------------------|-------------|---------------|
| 0001 | 6 | BALL | 681486001 | 4002395851928 |
| 0002 | 1 | SPINDLE SLEEVE | 621198001 | 4002395849086 |
| 0003 | 1 | STOP WASHER | 692724001 | 4002395851997 |
| 0004 | 1 | SNAP DIE | 692723001 | 4002395851980 |
| 0005 | 1 | O-RING | 562596001 | 4002395850662 |
| 0006 | 1 | CIRCLIP | 562594001 | 4002395850648 |
| 0007 | 1 | SLEEVE | 692722001 | 4002395851973 |
| 0008 | 1 | O-RING | 562595001 | 4002395850655 |
| 0009 | 1 | WASHER | 633518001 | 4002395851348 |
| 0010 | 1 | O-RING | 562597001 | 4002395850679 |
| 0011 | 1 | CIRCLIP | 672632001 | 4002395851386 |
| 0012 | 1 | WASHER | 633517001 | 4002395851331 |
| 0013 | 1 | SPRING | 692735001 | 4002395852031 |
| 0014 | 1 | REDUCTION GEAR | 611291001 | 4002395850693 |
| 0015 | 3 | PIN | 681235001 | 4002395851904 |
| 0016 | 3 | BALL | 611405001 | 4002395851201 |
| 0017 | 1 | CLUTCH | 610727001 | 4002395850686 |
| 0018 | 1 | CIRCLIP | 672634002 | 4002395851393 |
| 0019 | 1 | BEARING | 681480001 | 4002395851911 |
| 0020 | 1 | BEARING | 692838001 | 4002395849093 |
| 0021 | 1 | WASHER | 633516001 | 4002395851324 |
| 0022 | 1 | CIRCLIP | 633529001 | 4002395851355 |
| 0023 | 1 | PERCUSSION BODY | 692698001 | 4002395849635 |
| 0024 | 1 | CYLINDER | 692717001 | 4002395851959 |
| 0025 | 1 | CYLINDER PIN | 692718001 | 4002395851966 |
| 0026 | 1 | BRACKET | 641710001 | 4002395849628 |
| 0027 | 1 | BALL BEARING | 681383001 | 4002395802050 |
| 0028 | 1 | SCREW | 661504001 | 4002395851379 |
| 0029 | 1 | BEARING END PLATE | 201879001 | 4002395848997 |
| 0030 | 2 | LOCKING SCREW | 661286001 | 4002395851362 |
| 0031 | 1 | GEAR BOX COVER | 591125001 | 4002395849079 |
| 0032 | 1 | RUBBER SLEEVE | 562680001 | 4002395849055 |
| 0033 | 1 | HANDLE PIECE | 201838001 | 4002395848966 |
| 0034 | 1 | CARBON BRUSH SET | 290627001 | 4002395850600 |
| 0035 | 1 | FIELD LEAD GROMMET | 741587001 | 4002395852048 |
| 0036 | 1 | LEVER | 591123001 | 4002395849062 |
| 0037 | 1 | SPRING | 691093001 | 4002395823086 |
| 0038 | 1 | INSERT | 4931416290 | 4002395801213 |
| 0039 | 1 | SWITCH | 760465007 | 4002395824106 |
| 0040 | 1 | RETAINING PLATE | 633513001 | 4002395851317 |
| 0041 | 1 | SPRING | 692732001 | 4002395852017 |
| 0042 | 1 | PLATE | 201877001 | 4002395848973 |
| 0043 | 1 | GEAR BOX | 340124001 | 4002395849048 |
| 0044 | 1 | SWITCH | 304036001 | 4002395850617 |
| 0045 | 1 | DEPTH GAUGE | 620448002 | 4002395851218 |
| 0046 | 1 | AUXILIARY HANDLE | 304389001 | 4002395850624 |
| 0047 | 1 | GEAR BOX | 201756001 | 4002395848928 |
| 0048 | 1 | SPINDLE | 201758001 | 4002395848935 |
| 0049 | 1 | GEAR SHAFT | 201759001 | 4002395848942 |
| 0050 | 1 | ASSEMBLY | 201760001 | 4002395849505 |

| Position | Quantité | Désignation | Référence | EAN |
|-----------------|-----------------|--------------------|------------------|---------------|
| 0051 | 1 | SWITCH | 201881001 | 4002395849017 |
| 0052 | 1 | ADAPTER | 201876001 | 4002395850594 |
| 0053 | 1 | SLEEVE | 522186001 | 4002395850631 |
| 0060 | 1 | CLUTCH CHUCK ASS. | 201895001 | 4002395849666 |
| 0100 | 1 | RATING PLATE | 940488265 | 4002395849529 |
| 0700 | 1 | CARRYING CASE | 304112002 | 4002395849031 |
| 1200 | 1 | MAINTENANCE SET | 201884001 | 4002395849024 |